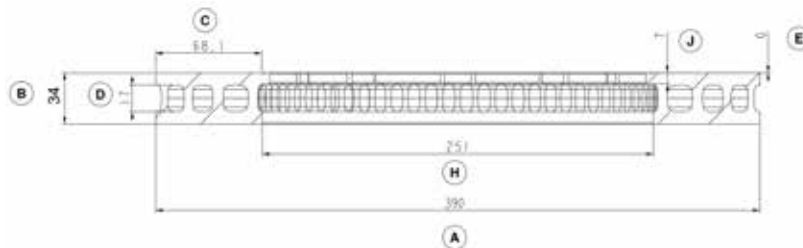


DBA Part Nos.

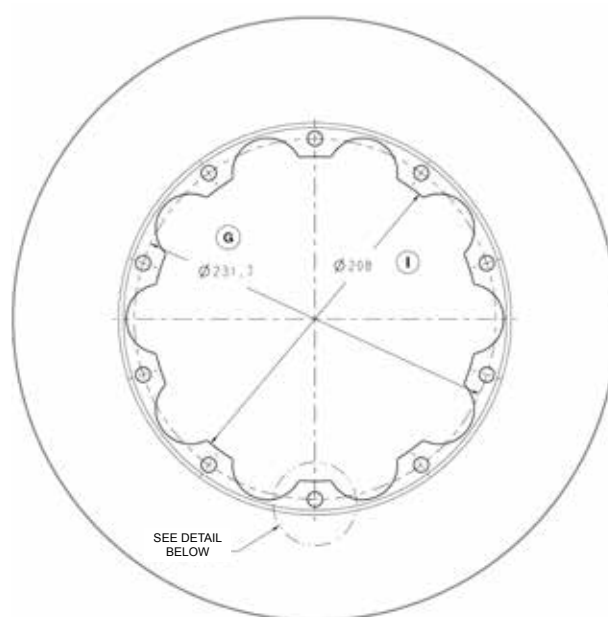
DBA 52370.1L

DBA 52370.1R



Technical Specifications

A Diameter (mm)	388
B Thickness (mm)	34
C Annulus (mm) (Maximum useable pad width)	68.1
D Air Gap (mm)	17
E Offset (mm)	0
F Dia. & No. of Bolt holes (mm)	9 (x10)
Weight (kg)	11.6



Vent Design



Curved Vanes

